

Adjustable pedal and steering mechanism

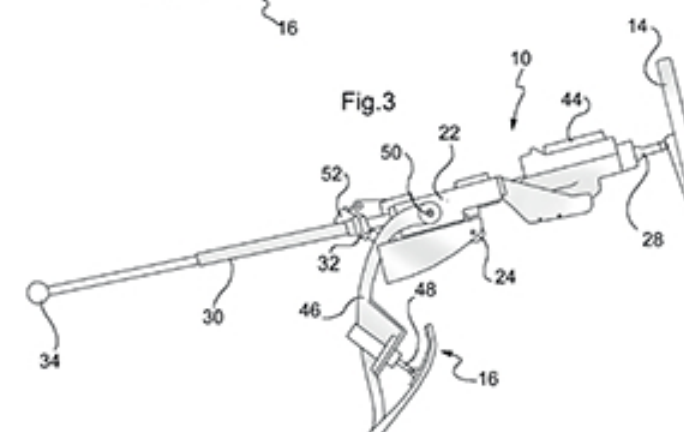
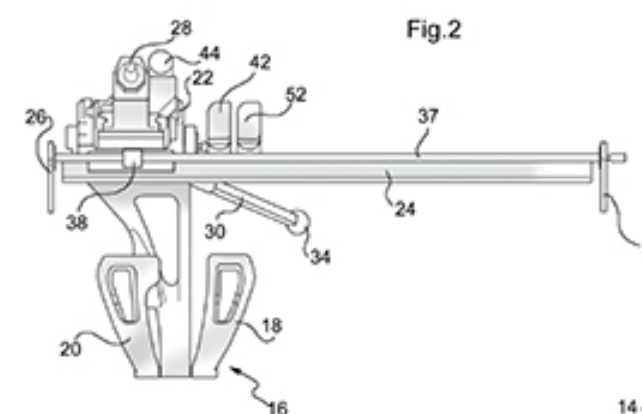
Car comp.
Bodywork



ERGONOMICS

KEYWORDS

- ▶ Commands
- ▶ Pedals
- ▶ Steering wheel
- ▶ Seats
- ▶ Adjustable mechanism



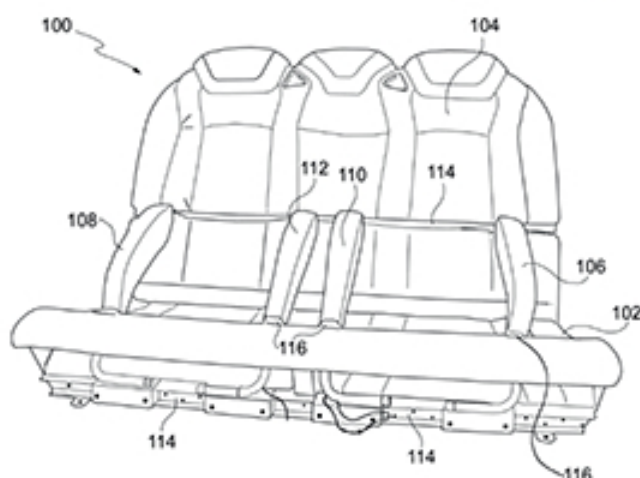
Innovations/advantages

Control unit adjustable sideways in the Y direction and in the other two spatial directions;
All drivers can find an ergonomically correct driving position;
Seat adjustable using control unit with good lateral containment of the driver in any driving position;
Left, right or centre driving position.

Application field

Ground vehicles

>homologation requirements checked



Product insight

- A control unit for motor vehicles comprising a support body, as well as a steering wheel and pedal assembly, designed to slide in a transverse and vertical direction, enabling the user to drive on the left, right, or in the centre.
Among the advantages, all drivers can find an ergonomically correct driving position with good lateral containment of the driver in any driving position.

Patent Information

Priority Date – 2 March 2004

Application number
05101563.4

Publication Number
EPI571064A1

IPR Dossier n.A07



National patent filings

Contact:

italdesigntoipr@italdesign.it