

A Safety system to prevent road users from being run over by a vehicle

Safety



CAR COMP. BODYWORK

KEYWORDS

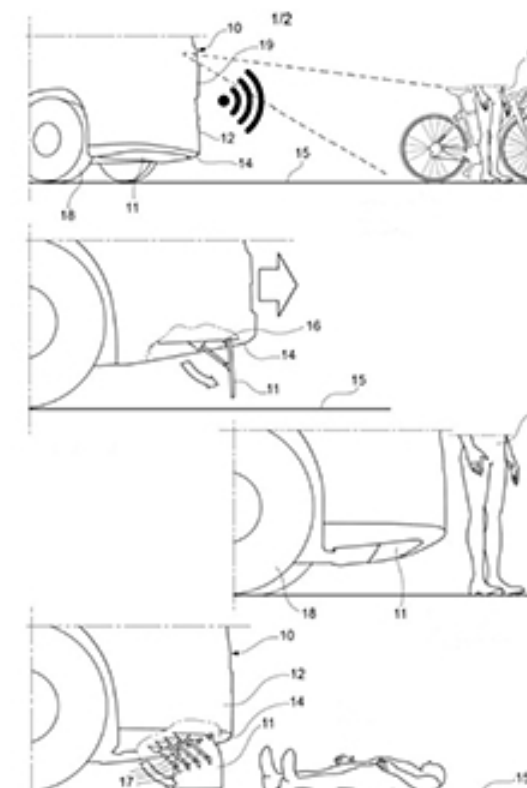
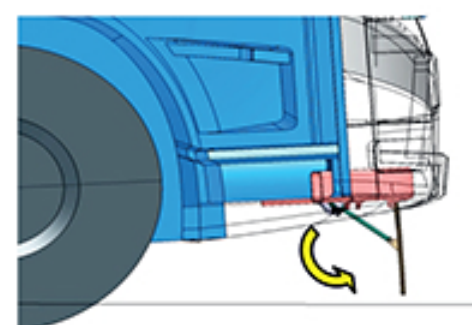
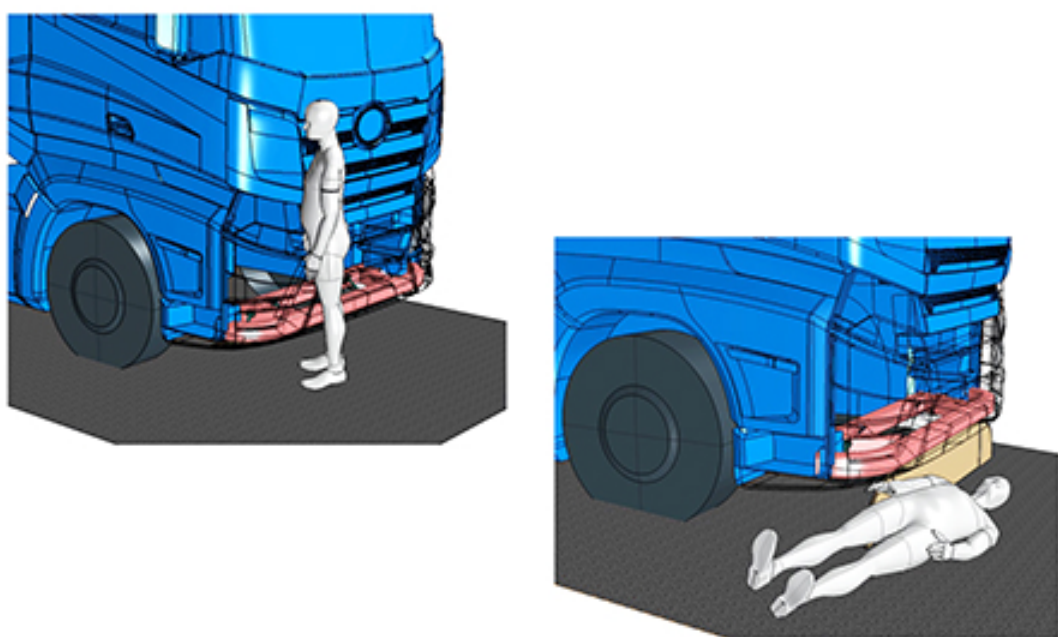
- ▶ Active safety
- ▶ Shields
- ▶ Pedestrian
- ▶ Cyclists
- ▶ Bumper

Innovations/advantages

Reduce the number and severity of accidents for pedestrians and cyclists;
Prevent the body from being run over by the wheels of the vehicle.

Application field

Vehicle engineering.



Product insight

- *How can pedestrian safety be improved on mixed-use roads? One option is the use of innovative devices installed on vehicles that protect pedestrians in the event of an accident. Italdesign has patented a new system to prevent pedestrians, and road users in general, from being run over by vehicles. Using sensors or emergency braking, the vehicle automatically opens a shield which instantly closes the space between the lower edge of the bumper and the road surface.*

Patent Information

Priority Date – 23 April 2019

Application Number
PCT/IB2020/053760

Publication Number
WO 2020/217167 A1

IPR Dossier n.A14



National patent filings

Contact:

italdesigntoipr@italdesign.it